



Part number

# CHO 48 L29



## Brief description:

hoods for single lever, size "104.62", side entry, Pg29, metal version, IP66

Product description		Approvals / Standards	
Version	metal version	Quality mark	 (type:4/4X/12),  , EAC
Series	hoods for single lever	Conformity	CQC, CE
Product type	with 2 pegs	General ordering information	
Variant	side entry	EAN13 code	8015747020404
Family	CLASS enclosures	Tariff number	85369095
Size	size "104.62"	Packaging Information	
Technical data		Packaging length	290,00 mm
Material	metal	Packaging height	130,00 mm
IP degree of protection	IP66 (and IP69K DIN 40050 - 9)	Packaging width	210,00 mm
Cable entry	Pg29	Packaging weight	2,40 kg
Further technical details		Packaging volume	7,92 dm <sup>3</sup>
Weight	600,00 g	Packaging description	Carton box
		Packaging quantity	4 Pcs
		Packaging EAN code	8015747256025
		Sub-packaging weight	0,60 kg
		Sub-packaging description	Plastic pakaging
		Sub-packaging quantity	1 Pcs
		Sub-packaging EAN barcode	8015747020411

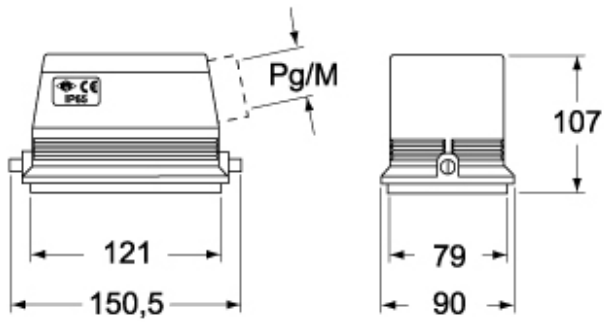
Part number

# CHO 48 L29



Catalogue drawings

**CHO L - MHO L - MFO L**



**CHV L - MHV L - MFV L**

